

**NOTE:**

1. ANCHORING PIPE REQUIRED FOR HYDRANT LEADS, LEADS USING OTHER RESTRAINT OPTION MAY BE USED ONLY WITH APPROVAL.
2. TWO LENGTHS OF PIPE ON SYSTEM SIDE OF VALVE MUST BE RESTRAINED (36" MIN.)



CITY OF SCHENECTADY  
SCHENECTADY COUNTY,  
NEW YORK

MAYOR:  
GARY MCCARTHY

COMMISSIONER OF GENERAL SERVICES:  
CARL OLSEN

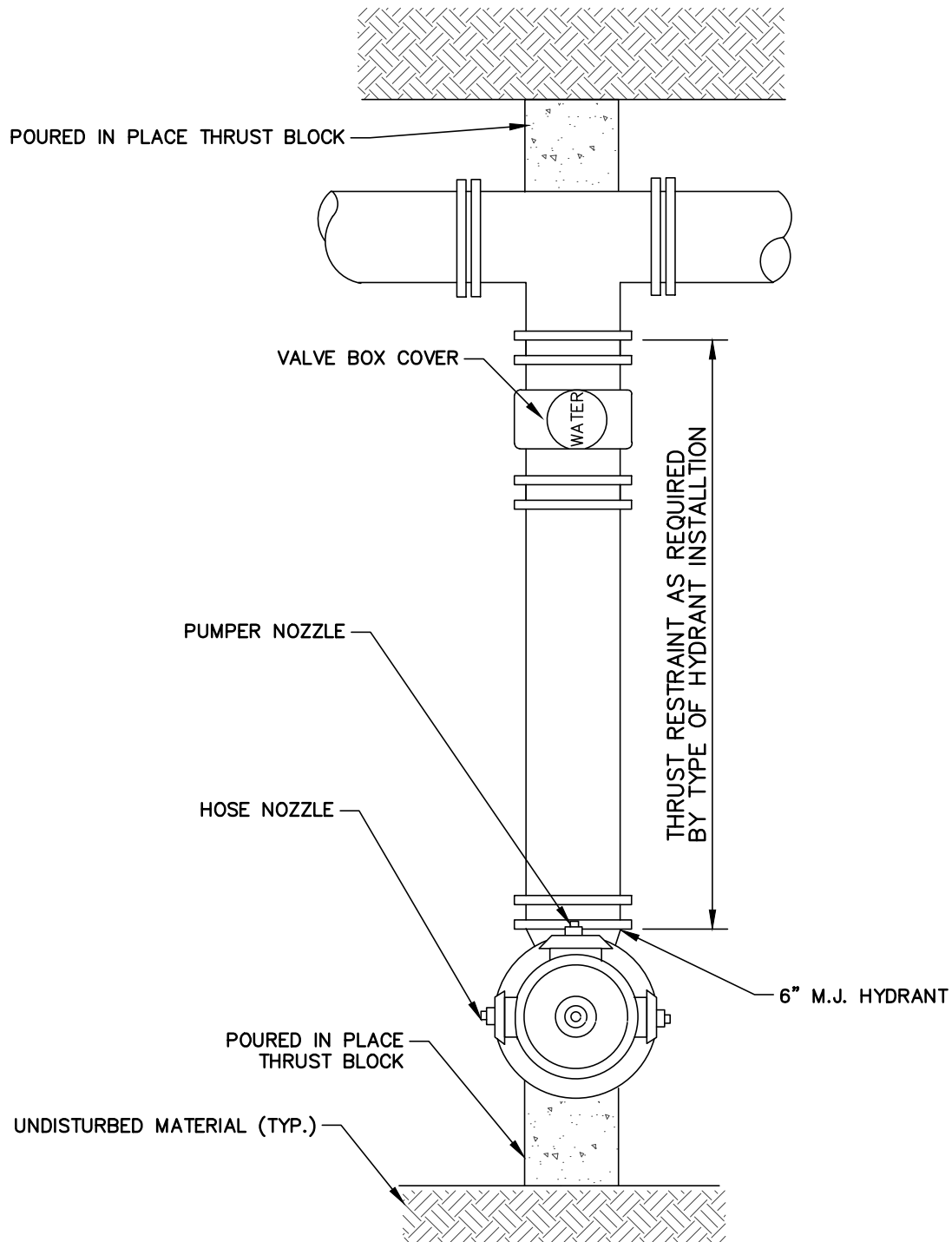
CITY ENGINEER:  
CHRISTOPHER WALLIN, P.E.

DEPARTMENT OF ENGINEERING  
105 JAY ST, ROOM 205 CITY HALL  
SCHENECTADY, NY 12305-1938

PROJECT NO.:	STANDARD DETAILS
DESIGNED BY:	PBK
DRAWN BY:	PBK
REVIEWED BY:	CRW
APPROVED BY:	CRW
DATE:	4/29/2013

SHEET TITLE:	HYDRANT INSTALLSTION DETAIL - TYPE OF INSTALLATION
SCALE:	NOT TO SCALE

LOCATION:	
DRAWING NUMBER:	G-011.1
SHEET NUMBER:	1 OF 3



**PLAN VIEW**



CITY OF SCHENECTADY  
SCHENECTADY COUNTY,  
NEW YORK

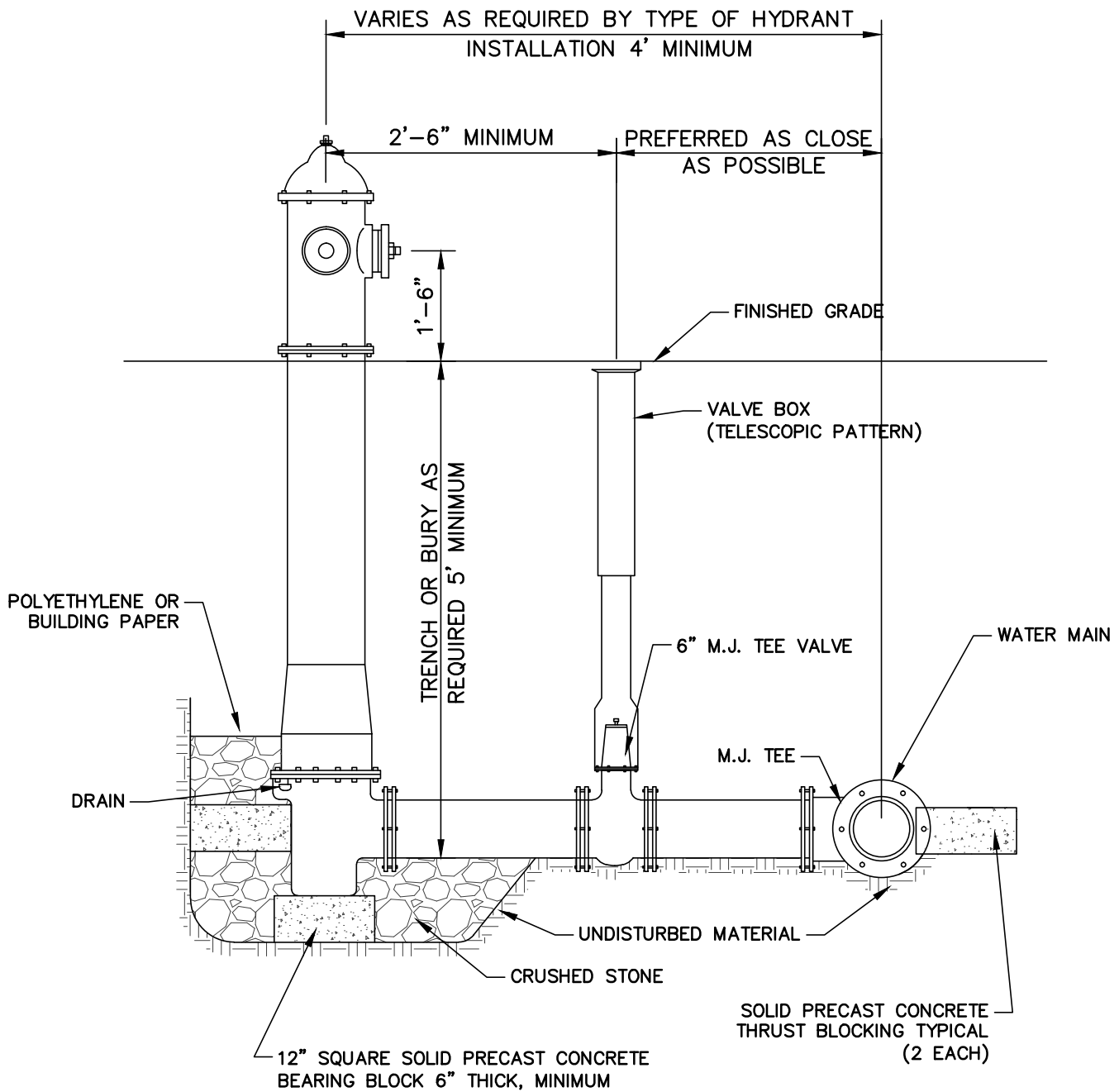
MAYOR:  
GARY MCCARTHY  
  
COMMISSIONER OF GENERAL SERVICES:  
CARL OLSEN  
  
CITY ENGINEER:  
CHRISTOPHER WALLIN, P.E.

DEPARTMENT OF ENGINEERING  
105 JAY ST, ROOM 205 CITY HALL  
SCHENECTADY, NY 12305-1938

PROJECT NO.:	STANDARD DETAILS
DESIGNED BY:	PBK
DRAWN BY:	PBK
REVIEWED BY:	CRW
APPROVED BY:	CRW
DATE:	4/29/2013

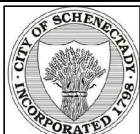
SHEET TITLE:	HYDRANT INSTALLATION DETAIL - PROFILE DETAIL
SCALE:	NOT TO SCALE

LOCATION:	
DRAWING NUMBER:	G-011.2
SHEET NUMBER:	2 OF 3



**SECTION VIEW**

**NOTE:**  
 IF SEASONAL GROUND WATER IS HIGHER THAN HYDRANT DRAIN, THE DRAIN SHOULD BE PLUGGED.



CITY OF SCHENECTADY  
 SCHENECTADY COUNTY,  
 NEW YORK

MAYOR:  
 GARY MCCARTHY  
 COMMISSIONER OF GENERAL SERVICES:  
 CARL OLSEN  
 CITY ENGINEER:  
 CHRISTOPHER WALLIN, P.E.  
 DEPARTMENT OF ENGINEERING  
 105 JAY ST, ROOM 205 CITY HALL  
 SCHENECTADY, NY 12305-1938

PROJECT NO.:	STANDARD DETAILS
DESIGNED BY:	PBK
DRAWN BY:	PBK
REVIEWED BY:	CRW
APPROVED BY:	CRW
DATE:	4/29/2013

SHEET TITLE:
HYDRANT INSTALLSTION DETAIL - SECTION VIEW
SCALE:
NOT TO SCALE

LOCATION:
DRAWING NUMBER: G-011.3
SHEET NUMBER: 3 OF 3